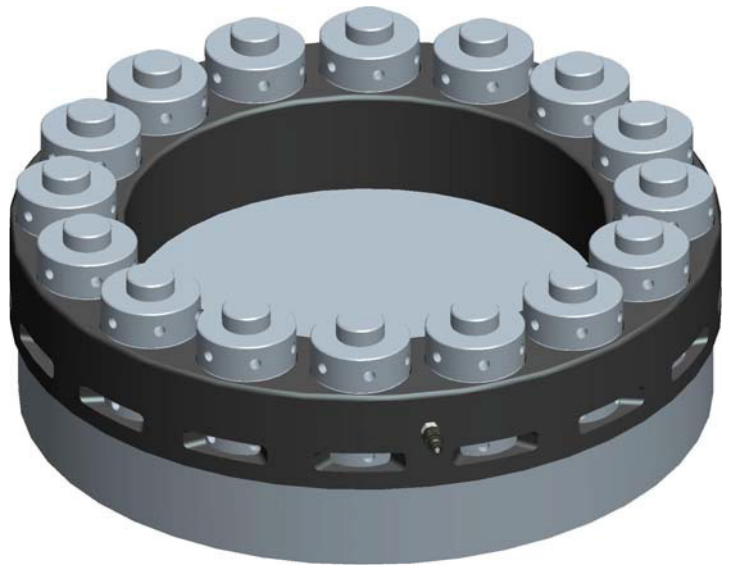
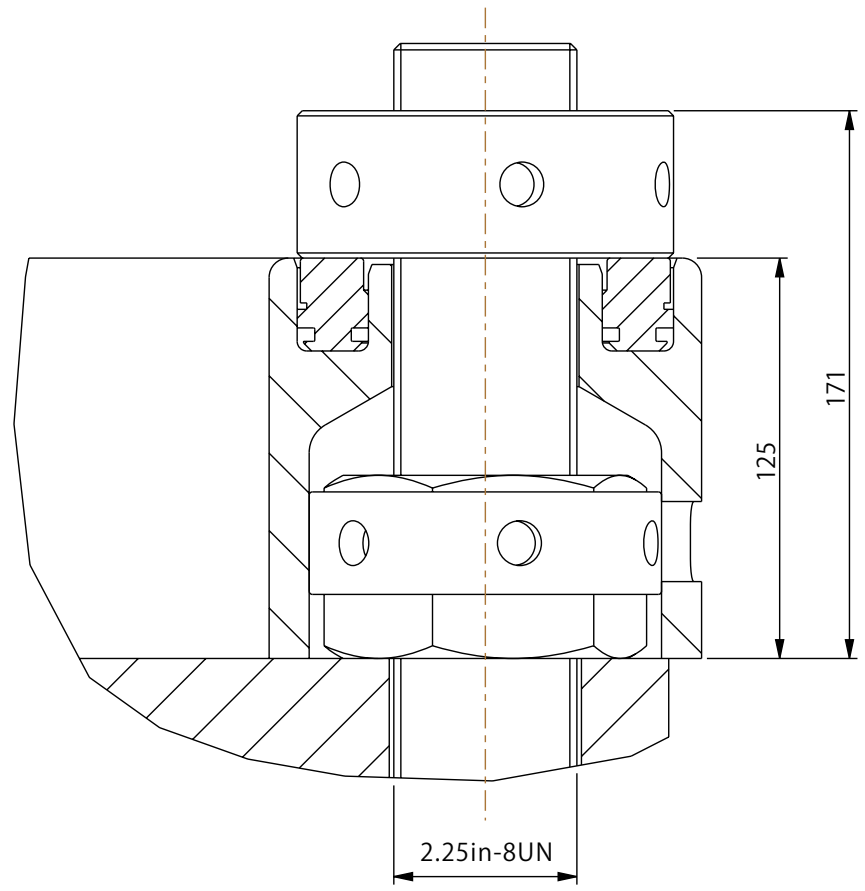
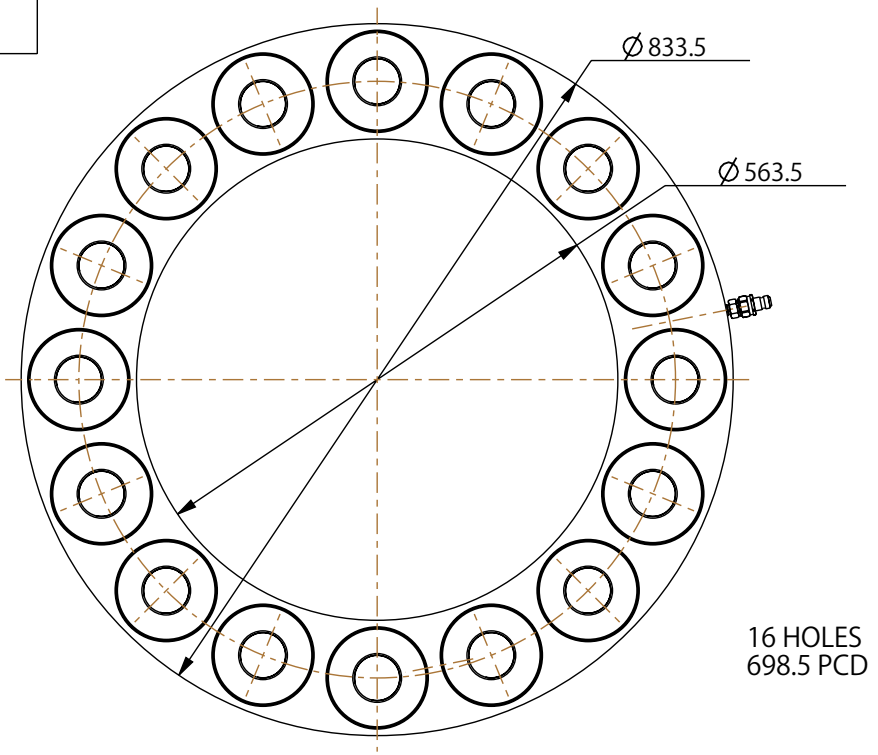


THIS DRAWING AND THE DESIGN IS THE PROPERTY OF BOLT ENGINEER LTD AND MUST NOT BE COPIED OR DISCLOSED TO ANY THIRD PARTY WITHOUT THE WRITTEN CONSENT OF THE COMPANY



マルチスタッドテンショナー

SPECIFICATION			
MAXIMUM PRESSURE	最高油圧	1500	bar
MAXIMUM LOAD	最大軸力	1000	kN

MATERIAL							
FINISH							
SURFACE FINISH		1.6					
LIMITS U.S.O.		±0.25 ± 0.25°					
SIZE	A3	SCALE	0.160	A	-	MR	
		REV	CNN	DRAWN	CHECKED	DATE	

Bolt Engineer®
 ボルトエンジニア(株)

機種名 **BT150T-MST2.25**

図面NO. **MST-2250-01-00** ISSUE **A**