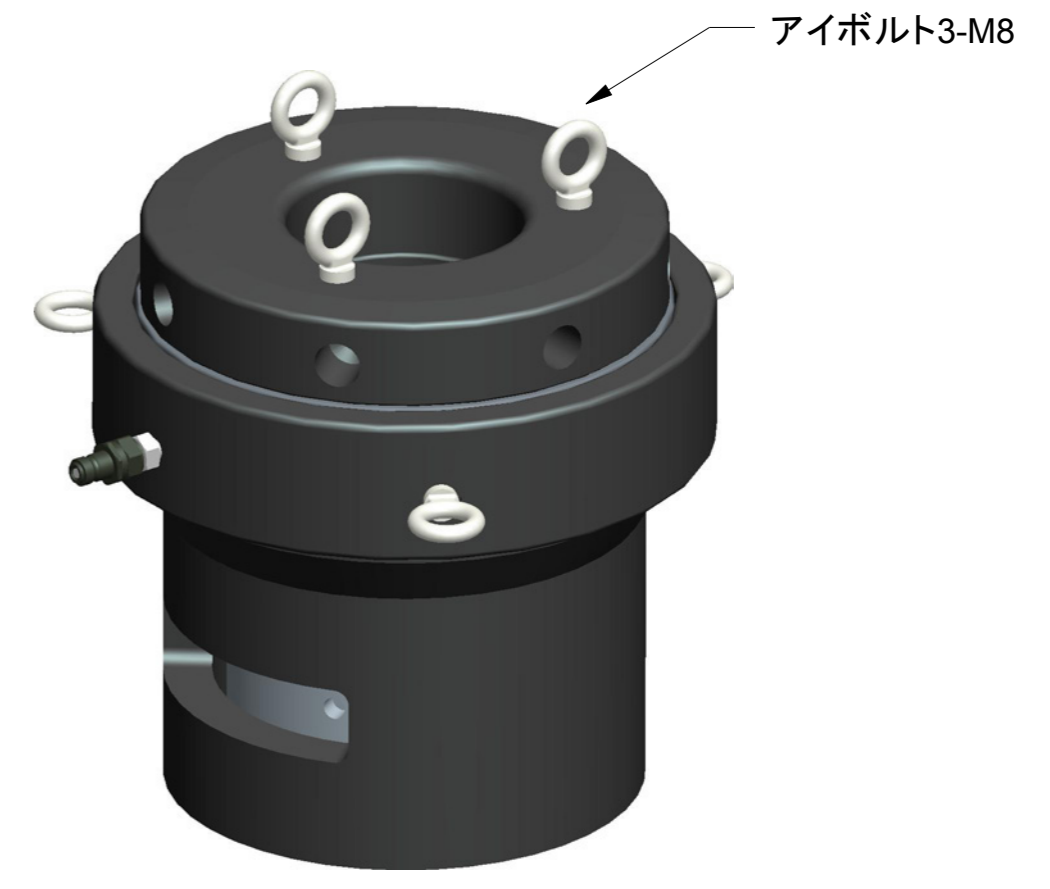
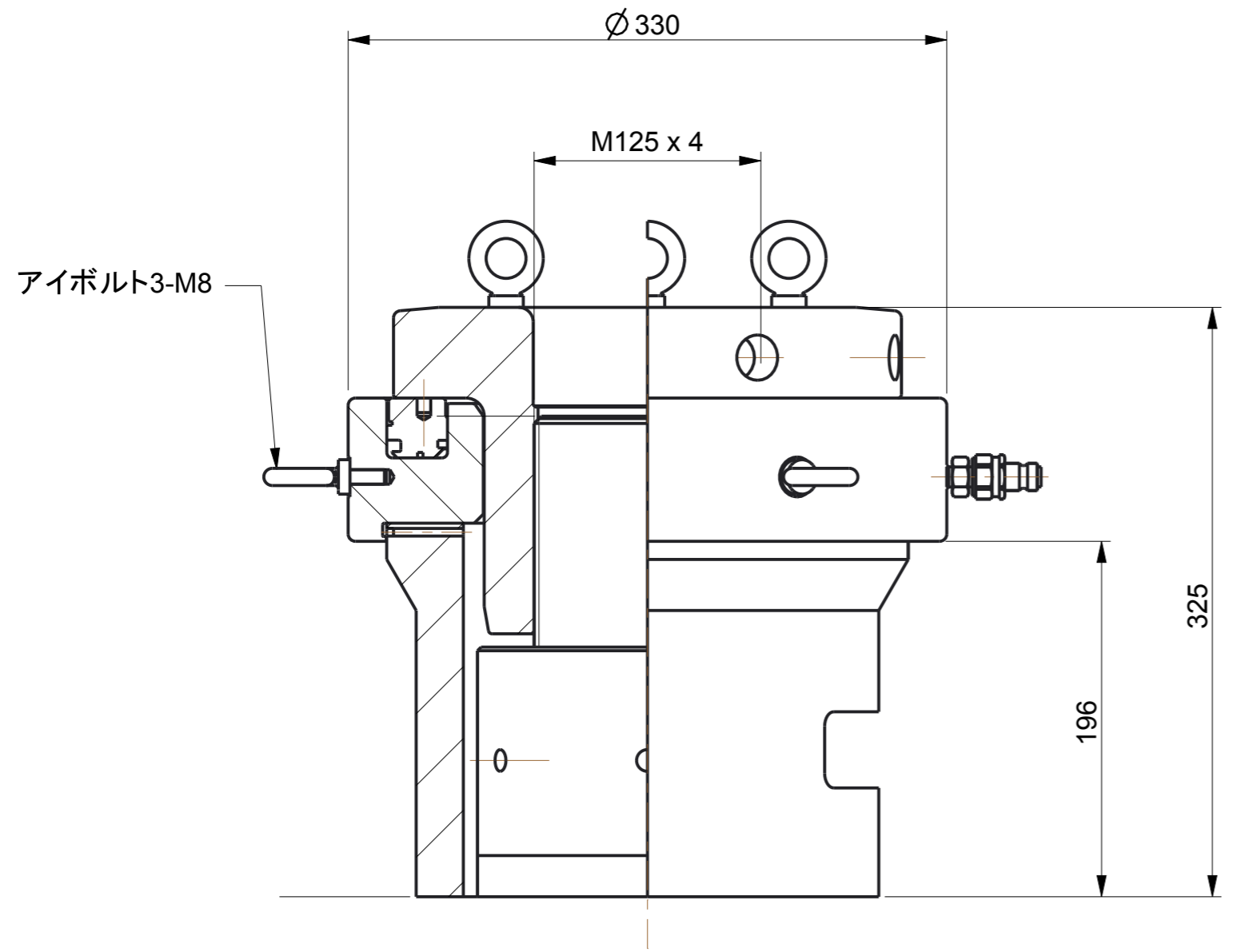
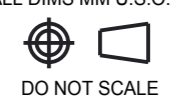
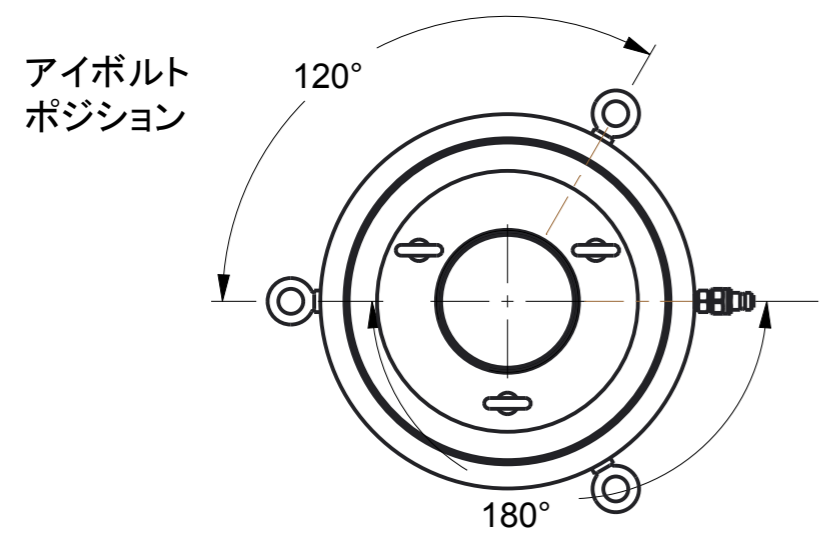


THIS DRAWING AND THE DESIGN IS THE PROPERTY OF BOLT ENGINEER LTD AND MUST NOT BE COPIED OR DISCLOSED TO ANY THIRD PARTY WITHOUT THE WRITTEN CONSENT OF THE COMPANY

ALL DIMS MM U.S.O.
DO NOT SCALE



GENERAL VIEW
SCALE 0.250



SPECIFICATION			
MAXIMUM PRESSURE	最高油圧	1500	bar
MAXIMUM LOAD	最大軸力	4003	kN

MATERIAL								Bolt Engineer® ボルトエンジニア(株)	
FINISH									機種名
SURFACE FINISH	$\sqrt{1.6}$								BT150T-125 M125用
LIMITS U.S.O.	± 0.25	$\pm 0.25^\circ$						図面 NO.	
SIZE	A3	SCALE	0.300	A	-			TPT-M125-10-00	ISSUE
	REV	CNN	DRAWN	CHECKED	DATE			A	