
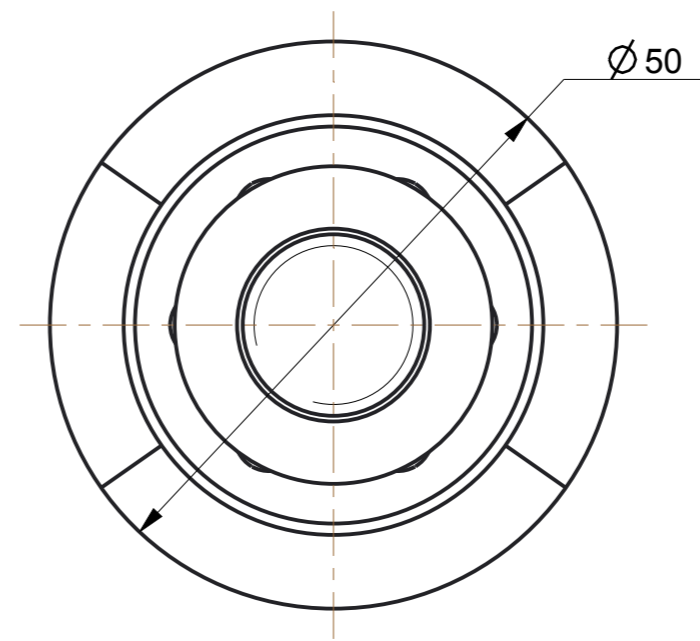
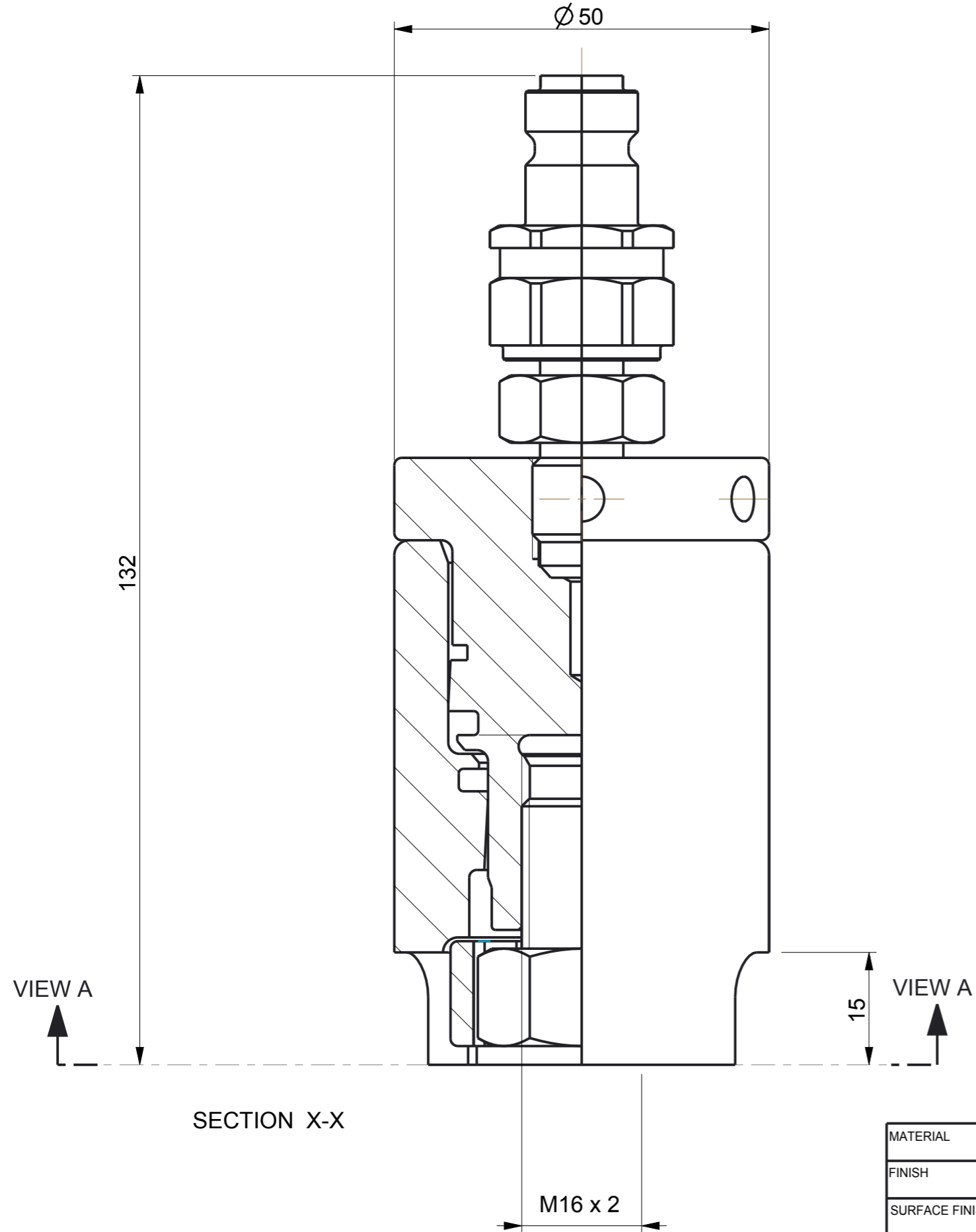



THIS DRAWING AND THE DESIGN IS THE PROPERTY OF BOLT ENGINEER LTD AND MUST NOT BE COPIED OR DISCLOSED TO ANY THIRD PARTY WITHOUT THE WRITTEN CONSENT OF THE COMPANY

ALL DIMS MM U.S.O.

 DO NOT SCALE



| SPECIFICATION | | | |
|----------------|-------|----|----|
| MAXIMUM LOAD | 最大軸力 | 75 | kN |
| MAXIMUM STROKE | ストローク | 10 | mm |

| | | | | | | | |
|----------------|-------|---|--------|-------|---------|------|--|
| MATERIAL | | | | | | | |
| FINISH | | | | | | | |
| SURFACE FINISH | |  | | | | | |
| LIMITS U.S.O. | | ±0.25 | ±0.25° | | | | |
| SIZE | SCALE | A | - | | | | |
| A3 | 1.500 | REV | CNN | DRAWN | CHECKED | DATE | |

Bolt Engineer®
 ボルトエンジニア(株)

機種名
 BT150T-16 一体型テンショナー M16

図面 NO. TDF-M016-04-00

ISSUE A